

Media Gateway Model: KNMMG32

KNMMG-32 series IP Voice (Media) Gateway is a high-performance VoIP gateway that supports a wide range of features and capabilities.



Model	Description
KNMMG32-4P	Supports 4 FXO ports.
KNMMG32-8P	Supports 8 FXO ports.
KNMMG32-16P	Supports 16 FXO ports.
KNMMG32-32P	Supports 32 FXO ports.
KNMMG32-4S	Supports 4 FXS ports.
KNMMG32-8S	Supports 8 FXS ports.
KNMMG32-16S	Supports 16 FXS ports.
KNMMG32-32S	Supports 32 FXS ports.
KNMMG32-4P-4S	Supports 4 FXO ports and 4 FXS ports.
KNMMG32-4P-8S	Supports 4 FXO ports and 8 FXS ports.
KNMMG32-4P-16S	Supports 4 FXO ports and 16 FXS ports.
KNMMG32-8P-4S	Supports 8 FXO ports and 4 FXS ports.
KNMMG32-8P-8S	Supports 8 FXO ports and 8 FXS ports.
KNMMG32-8P-16S	Supports 8 FXO ports and 16 FXS ports.
KNMMG32-16P-4S	Supports 16 FXO ports and 4 FXS ports.
KNMMG32-16P-8S	Supports 16 FXO ports and 8 FXS ports.
KNMMG32-16P-16S	Supports 16 FXO ports and 16 FXS ports.
KNMMG32Pro-(optional model)	Dual AC power supply port and dual network port which is dual power supply and dual network redundancy function.

Key Features

Supports SIP 2.0:

Complies with the latest SIP standards, making it interoperable with a wide range of VOIP equipment.

Wide range of voice codecs:

Supports a variety of voice codecs, including G,711A/u,G,7231 high/low, and G,729, This ensures that calls are clear and reliable, even over long distances.

Echo cancellation:

Features echo cancellation to reduce echo and improve call quality.

Real-Time Status Display:

Supports point to point calling for direct communication between two endpoints.

DTFM mode:

Supports DTFM mode for caller ID and other features.

Fax:

Supports fax over IP for sending and receiving faxes.

SIP application:

Supports a variety of SIP applications, such as call transfer, call waiting, and caller ID.

WAN DHCP Client:

Can obtain an IP address from a DHCP server.

SNTP Client:

Can synchronize its time with an SNTP server.

Website configuration:

Can be configured and managed via a web browser.

Advanced Functions

Connect to a variety of VOIP providers:

Can be used to connect to a variety of VoIP providers, giving you the flexibility to choose the best one for your needs.

Integrate with existing phone:

Can be integrated with existing phone systems, making it a seamless transition to VOIP.

Benefits

- Scalability:

Is a scalable solution that can expand with the needs of your business.

- Flexibility:

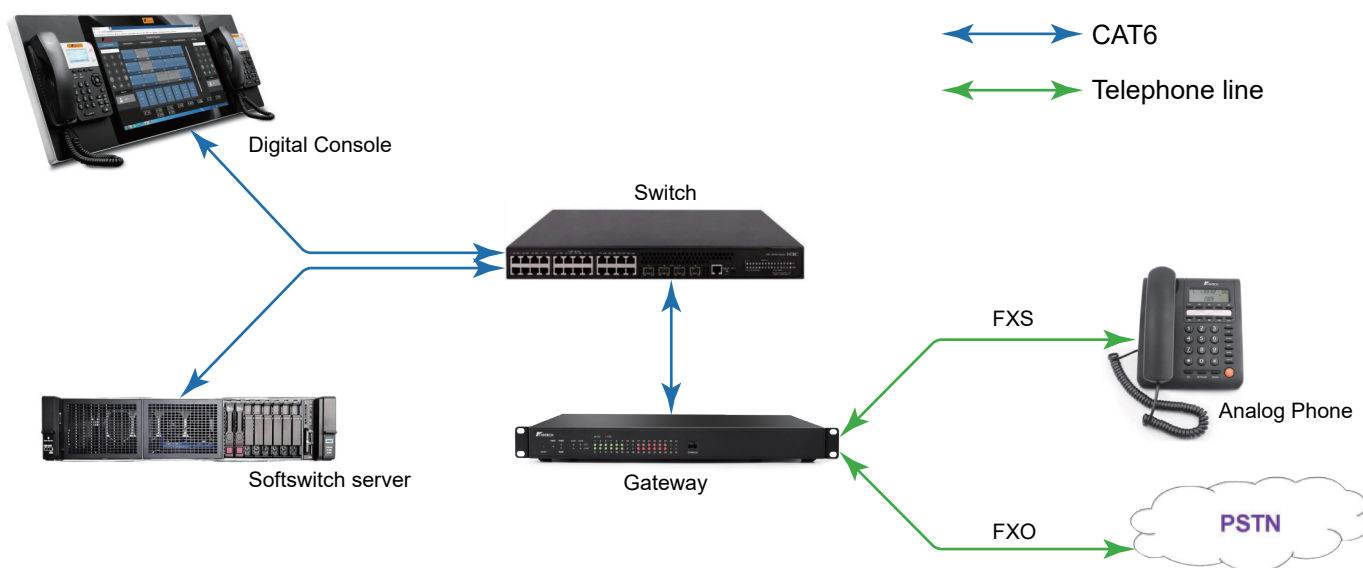
Is a flexible solution that can be adapted to meet the needs of businesses of all sizes.

- Cost savings:

Our Media Gateway can help you save money on your telecommunications costs by eliminating the need for a traditional PBX and by reducing long distance calling costs.

- Improved call quality:

Our Media Gateway can provide improved call quality compared to traditional phone systems by using the latest voice codecs and echo cancellation technology.



Specification

Installation	FXO/FXS/E&M, Maximum Port 32
LAN	10/100BASE RJ45*2
Speech coding	G,711a/μlaw, G,723,1, G,729A/B
Fax	T,38/Pass-through
VoIP protocol	SIP V2,0 (PFC3261,3262,3264) SDP, PTP/PTCP,DHCP,TFTP/HTTP/HTTPS
DTMF Mode	Signal/PFC2833/INBAND
Power	100-240VAC, 50-60 Hz 100W
Humidity	10% -90% no condensation
Operating temperature	0℃ ~50℃
Size	43.6cm * 30cm * 4.5cm
Index of protection	IP3X
Applicable Standards	EN 62368-1:2014/A11:2017/EN 55032:2015/A11:2020 EN 55035:2017/A11:2020



Size display

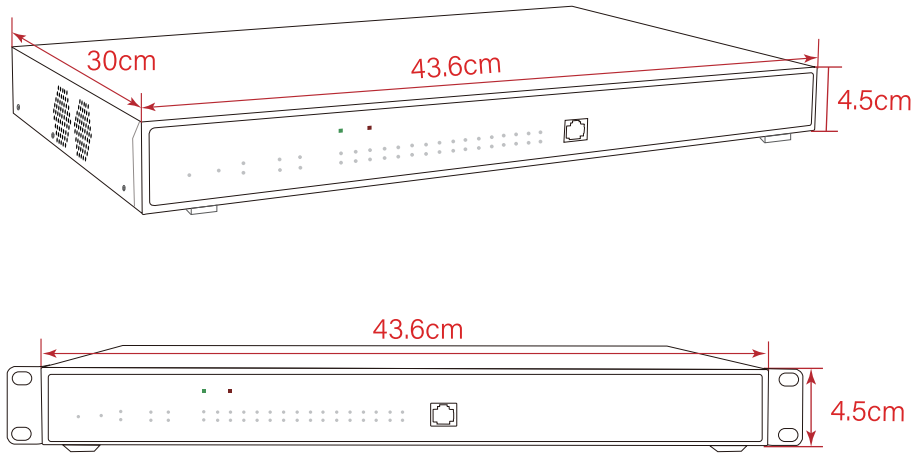


Photo Album

- Single power supply



- Dual power supply



Powerhouse | Versatile | User-friendly

*Seamless Integration
Unlimited Possibility*

Web: www.koontech.com

Email: marketing@koontech.com

Tel: (HK Office) +852 9068 2799 / (Shenzhen Office) +86 755 2744 8753

Shenzhen Office: 1001 Block A Building T3, Yifang Center, Bao'an, Shenzhen, Guangdong, China

HK Office: Unit C, 2/F, Ka To Factory Building, 2 Cheung Yue Street, Cheung Sha Wan, Kowloon, Hong Kong

Factory: KNTECH Building, Phoenix Mountain, Limhai Zone, Shajiao Community, Humen, Dongguan, China